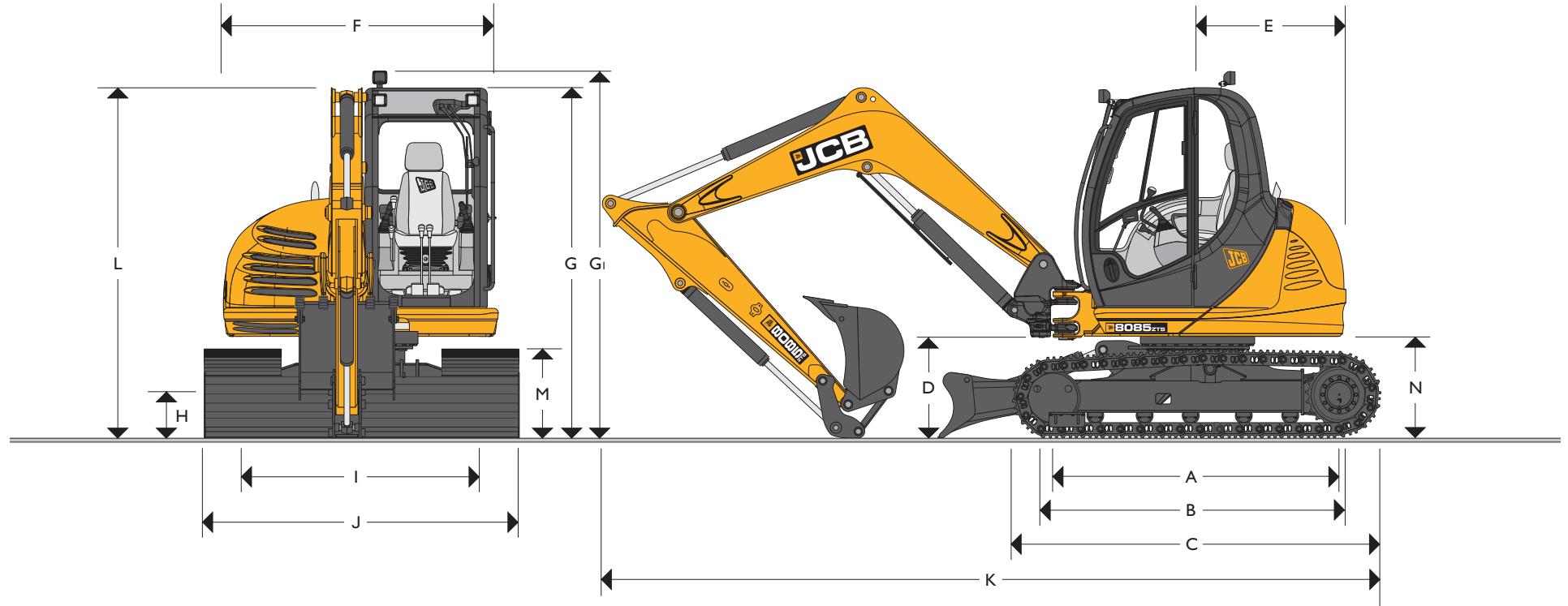


OPERATING WEIGHT: 8026kg (17694lbs) GROSS ENGINE POWER: 43kW (57.6hp)



STATIC DIMENSIONS

Machine model	8085 ZTS	Machine model	8085 ZTS
	mm (ft-in)		mm (ft-in)
A Sprocket idler centres	2280 (7-6)	GI Height over cab - work lights	2830 (9-3)
B Track length on ground	2200 (7-3)	H Ground clearance	363 (1-2)
C Undercarriage overall length – rubber	2830 (9-3)	I Track gauge	1850 (6-1)
Undercarriage overall length – steel	2830 (9-3)	J Width over tracks (450 shoes)	2300 (7-7)
D Kingpost clearance	741 (2-5)	K Transport length with standard dipper	6060 (19-11)
E Tailswing radius	1160 (3-10)	L Transport height with standard dipper	2840 (9-4)
F Overall width of superstructure	2135 (7-0)	M Track height	665 (2-2)
G Height over cab	2719 (8-11)	N Counter weight clearance	767 (2-6)

DOZER BLADE – 450mm

Dozer length	mm (ft-in)	1360 (4-6)
Max height (above ground)	mm (ft-in)	463 (18-23)
Dig depth (below ground)	mm (ft-in)	403 (15-87)
Approach angle	degrees	23
Width	mm (ft-in)	2320 (91-34)
Height	mm (ft-in)	514 (20-24)
Reach in front of tracks	mm (ft-in)	632 (2-1)

OPTIONAL NARROW DOZER BLADE – OFFSET TRACKS

Dozer length	mm (ft-in)	1360 (4-6)
Max height (above ground)	mm (ft-in)	463 (18-23)
Dig depth (below ground)	mm (ft-in)	403 (15-87)
Approach angle	degrees	23
Width	mm (ft-in)	2220 (87-40)
Height	mm (ft-in)	514 (20-24)
Reach in front of tracks	mm (ft-in)	632 (2-1)

OPTIONAL WIDE DOZER BLADE – 600mm TRACKS

Dozer length	mm (ft-in)	1400 (4-7)
Max height (above ground)	mm (ft-in)	463 (18-23)
Dig depth (below ground)	mm (ft-in)	403 (15-87)
Approach angle	degrees	23
Width	mm (ft-in)	2470 (97-24)
Height	mm (ft-in)	514 (20-24)
Reach in front of tracks	mm (ft-in)	632 (2-1)

EEC NOISE LEVELS (95/27/EC DYNAMIC)

Machine model		8085 ZTS
Cab / canopy external	dB (LwA)	98
Cab internal	dB (LwA)	73

LIFT CAPACITIES – 8085 ZTS 450mm Rubber Tracks, No bucket, 2000 mm Dipper

Load Point	2.5m (8ft 2in)			3.0m (9ft 10in)			3.5m (11ft 6 in)			4m (13ft 1 in)			4.5m (14ft 9in)			5m (16ft 5in)			5.5m (18ft 1in)			Capacity at max. reach				
Height	kg	kg	kg	kg	kg	kg	kg	kg	kg	kg	kg	kg	kg	kg	kg	kg	kg	kg	kg	kg	kg	kg	kg	kg	kg	m (ft-in)
3.5 (11-6)													1262*	1331*	1262*	1340*	1436*	1125				1110	1523*	1005		5.3 m
3 (9-10)										1331*	1375*	1331*	1392*	1488*	1392*	1208	1505*	1058	990	1575*	915	990	1575*	915		5.5 m
2.5 (8-2)							1566*	1557*	1566*	1514*	1601*	1514*	1462*	1601*	1462*	1170	1636*	1073	1028	1636*	923	990	1679*	863		5.6 m
2 (6-7)				2210*	2297*	2210*	1931*	2036*	1931*	1705*	1853*	1508	1549*	1757*	1275	1170	1697*	1043	990	1688*	900	945	1688*	840		5.75 m
1.5 (4-11)				2784*	2984*	2085	2262*	2462*	1635	1590	2158*	1403	1343	1958*	1178	1170	1853*	1005	983	1792*	863	900	1766*	795		5.75 m
1 (3-3)				2340	3611*	1898	1883	2871*	1620	1560	2419*	1365	1320	2158*	1133	1148	2001*	983	960	1897*	848	900	1836*	818		5.75 m
0.5 (1-8)	2700	4968*	2325	2295	4176*	1875	1830	3341*	1605	1538	2706*	1298	1268	2349*	1088	1103	2166*	945	960	1975*	833	908	1905*	803		5.75 m
Ground Level	2730	5203*	2250	2288	4489*	1853	1770	3497*	1515	1545	2993*	1283	1268	2540*	1103	1095	2262*	953	953	2027*	833	923	1992*	810		5.6 m
-0.5 -(1-8)	2678	5481*	2325	2213	4507*	1860	1748	3698*	1508	1455	3071*	1268	1268	2636*	1080	1095	2366*	953				998	2071*	855		5.4 m
-1 -(3-3)	2873	5742*	2348	2258	4681*	1883	1755	3680*	1500	1485	3106*	1275	1230	2680*	1095	1080	2262*	953				1035	2123*	930		5.2 m

- Lift capacity front and rear.
- Lift capacity full circle.

- Notes:**
- Lifting capacities are based on ISO 10567, that is: 75% of minimum tipping load or 87% of hydraulic lift capacity, whichever is the less. Lifting capacities marked* are based on hydraulic capacity.
 - Lift capacities assume that the machine is on firm, level ground and equipped with an approved lifting point.
 - A bucket must be fitted when lifting, the weight of this bucket must be deducted from the above lift capacities.
 - Lift capacities may be limited by local regulations. Please refer to your dealer.